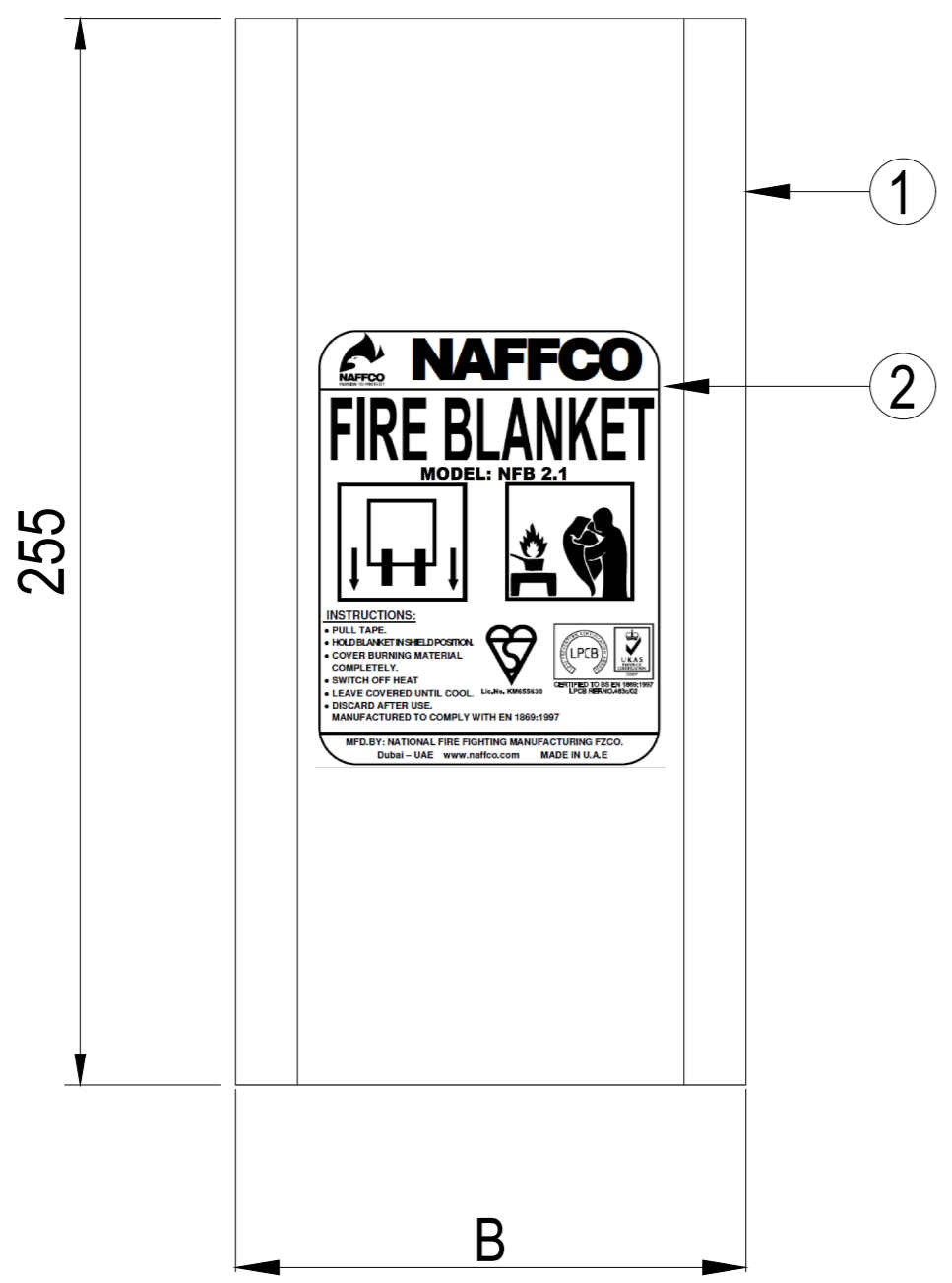
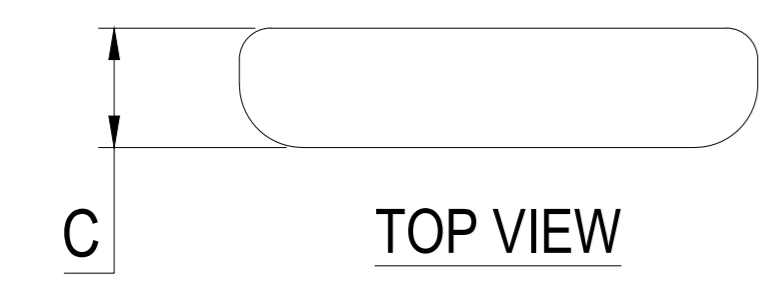
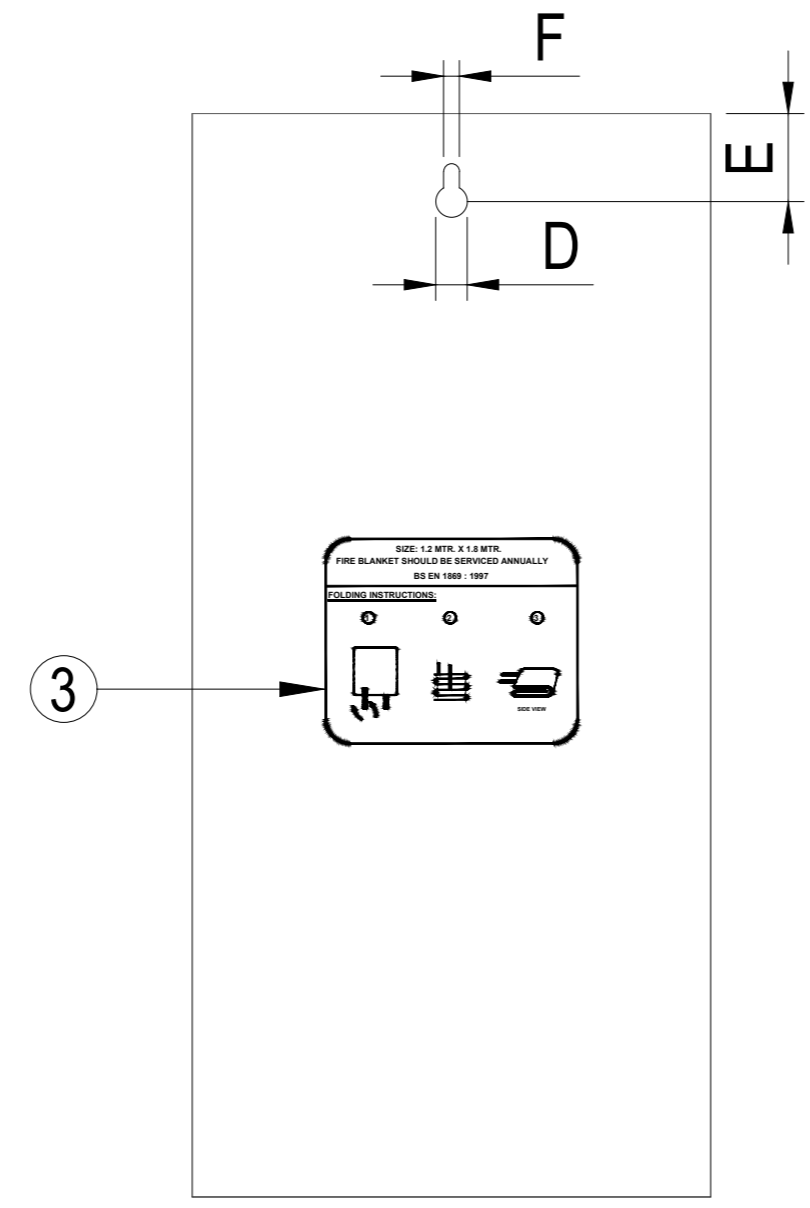


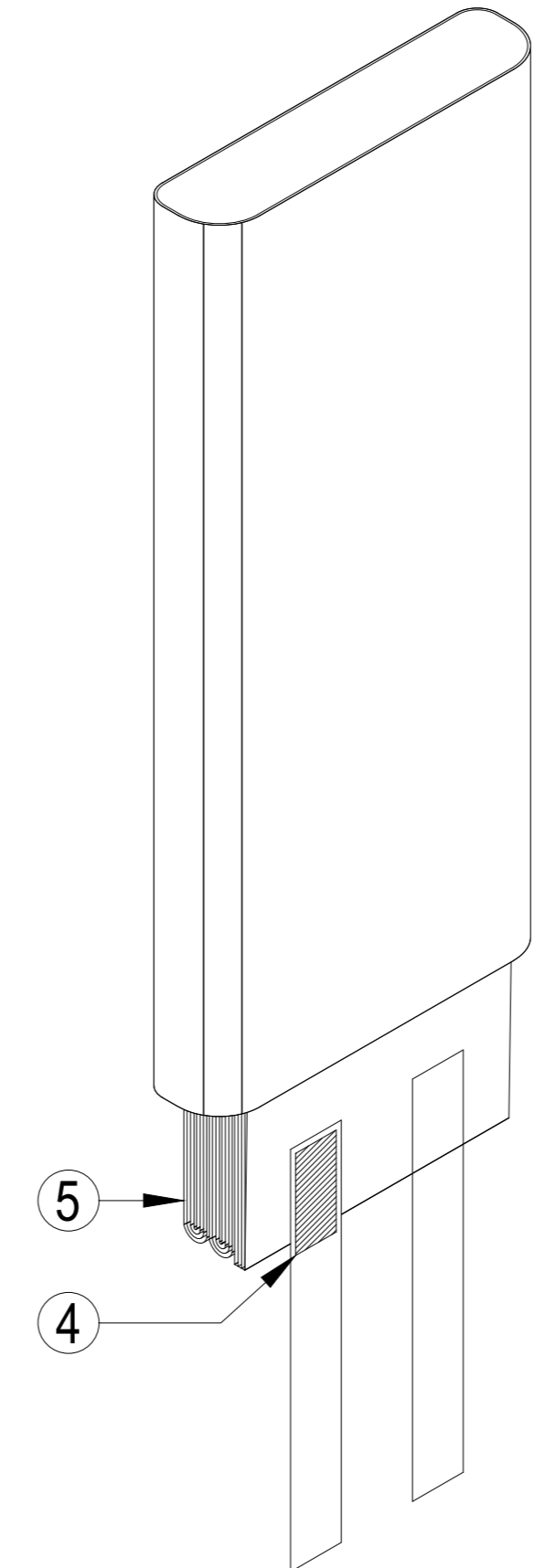
FIRE BLANKETS



FRONT VIEW



BACK VIEW



DIMENSIONS(mm)							
MODEL	A	B	C	D	E	F	GENERAL TOLERANCE
NFB 1.2	255	160	35	10	28	5	±2MM
NFB 1.4	255	160	35	10	28	5	±2MM
NFB 2.1	345	160	35	10	28	5	±2MM

NOTES :-

1. ALL DIMENSIONS ARE IN mm. UNLESS OTHERWISE SPECIFIED

BILL OF MATERIALS

ITEM NO.	DESCRIPTION	QTY.
1.	CONTAINER	1
2.	INSTRUCTIONS LABEL	1
3.	FOLDING INSTRUCTION	1
4.	LABEL	1
5.	FIRE BLANKET	1

SPECIFICATIONS

MODEL	NFB 1.2,NFB 1.4,NFB 2.1	
SIZE	NFB 1.2	1.1mx1.1m
	NFB 1.4	1.2mx1.2m
	NFB 2.1	1.2mx1.8m
THICKNESS OF BLANKET	0.25mm ± 0.03	
BASE MATERIAL	FIBER GLASS WITH SILICON COATING	
WEAVING TYPE	TWILL WEAVING WITH LONGITUDE AND LATITUDE YARN 33TEX / 2	
WARP/WEFT DENSITY	20 X 15 / CM ± 1	
COATING MATERIAL	SILICONE	
TEMPERATURE	550°C	
SILICONE COATING WEIGHT PER SIDE	MINIMUM 55GMS PER SQUARE METER	
WEIGHT OF SILICONE COATING	MINIMUM 110GMS PER SQUARE METER	
WEIGHT OF BLANKET WITH SILICONE COATING	340GMS ± 20GMS PER SQUARE METER	
PACKING	COVERED IN NYLON BAGS AND PACKED IN FLAT HARD PVC RED PACK	